

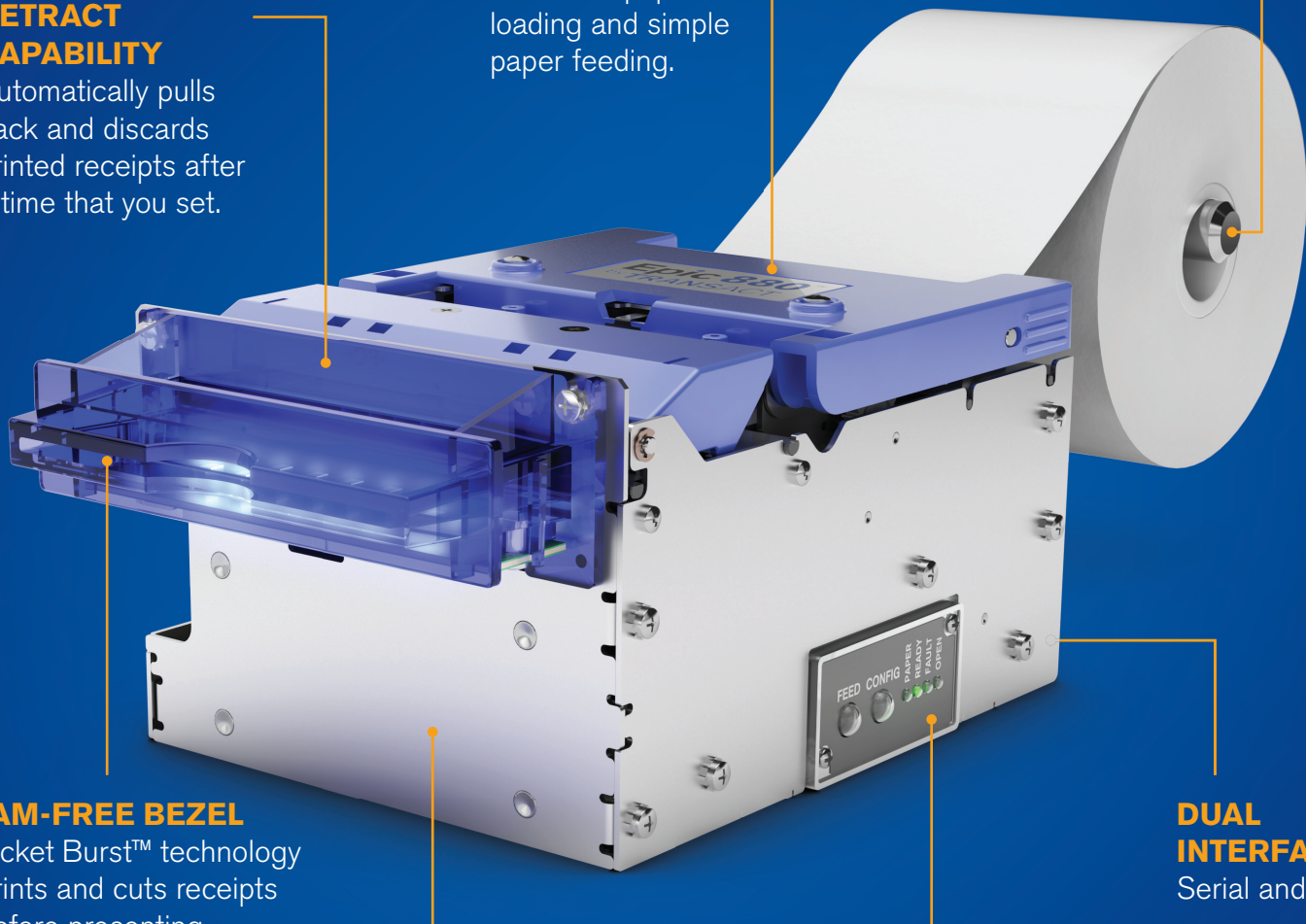
**BUILT-IN RECEIPT
RETRACT
CAPABILITY**

Automatically pulls back and discards printed receipts after a time that you set.

**STRAIGHT
PAPER PATH**

Door swings up for automatic paper loading and simple paper feeding.

**HOLDS 4" AND
6" DIAMETER
PAPER ROLLS**



JAM-FREE BEZEL

Ticket Burst™ technology prints and cuts receipts before presenting. Eliminates jams caused by player interference.

**SMALL
MODULAR DESIGN**

Configurable to any space with adjustable bracket and spindle.

EASY TO ACCESS

Printer status LEDs and form feed button

**DUAL
INTERFACES**
Serial and USB

**Epic 880™
and Epic 883™
by TRANSACT**

SMALL SIZE. UNMATCHED FUNCTIONALITY.

The Epic 880 and 883 thermal roll printers are packed with features and functionality that defy their small footprint. When game or kiosk cabinet space is limited, for applications such as Amusement with Prizes (AWP), Skill with Prizes (SWP), Sports Betting and Video Lottery Terminals (VLT), the Epic 880 and 883 are the ideal choice.

SPECIFICATIONS

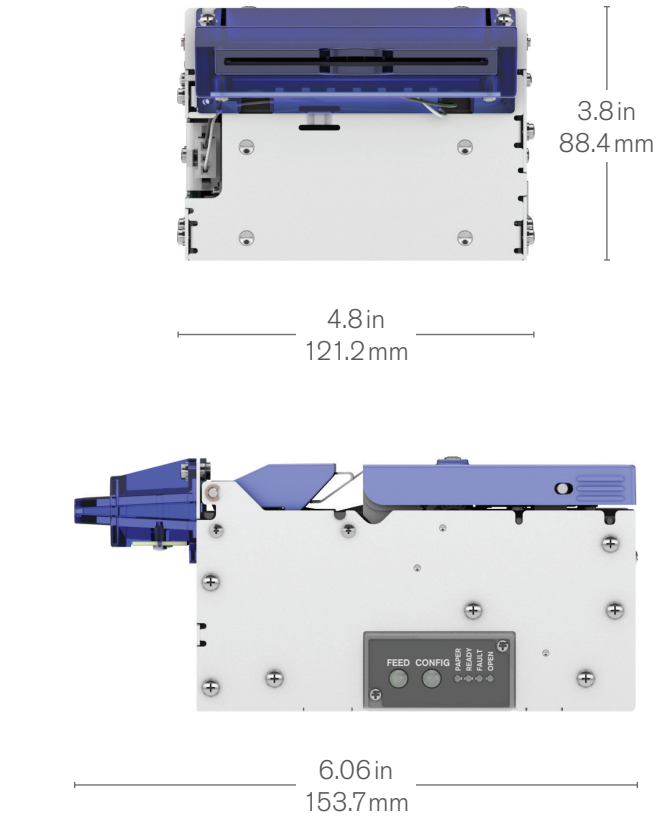
Resolution	203 DPI (Model 880) or 300 DPI (Model 883)
Print Width	3.15in/80mm
Print Speed	4 inches per second 100mm per second
Dimensions	4.8W x 6.06D x 3.48H (inches) 121.2W x 153.7D x 88.4H (mm)
Weight	4.7lbs/2.1Kg
Interface	USB & 9-pin RS-232 Serial
Power Supply	24 VDC: 3 Amps Maximum
Operating Temperature	41 to 122 °F at 10 to 90% RH 5 to 50 °C at 10 to 90% RH
Storage & Shipping Temperature	14 to 122 °F at 10 to 90% RH -10 to 50 °C at 10 to 90% RH
Print Head Life	62 miles/100km
Bar Codes	Code 31, 93, 128, UPC-A, UPC-E, EAN-8, EAN-13, Codabar, ITF, PDF417 and Interleaved 2 of 5
Printer Drivers	Windows and OPOS printer drivers
Compliance	IEC 60950-1, CE Mark, RoHS, TUV NRTL MARK

OPTIONS

- External Universal Power Supply
- Large Core Adaptor enables use with small or large core label rolls

BENEFITS

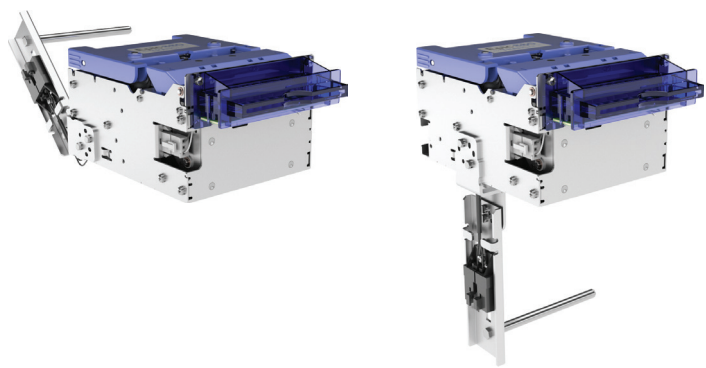
- Small modular design, configurable to any space
- Accommodates 4 inch or 6 inch (101mm or 152mm) wide rolls of paper and tickets
- Auto paper-loading



CONFIGURATION OPTIONS

Unique Paper Handling

The variable-position spindle allows paper roll to be mounted behind or below printer mechanism.



- Built-in Ticket Retract capability to discard unremoved receipts to a secure location inside the kiosk
- 300 DPI version available (Model 883) for especially fine printing of graphics